



**PRICE LIST**  
and  
**TECHNICAL**  
**MANUAL**

*Effective January, 2002*

*Effective January, 2002*

# GENERAL INFORMATION

## **Prices**

Possession of this price list shall not be construed as an offer to sell to anyone, at any price, any of the goods listed herein. All prices are subject to change without notice. The right to discontinue any of the listed products, without notice, is reserved. All prices are knocked down, F.O.B. warehouse, San Dimas, California, unless specified otherwise. All orders are subject to final acceptance and interest on past due invoices.

## **Shipping**

If a preferred routing is specified on your order, delivery to the carrier shall constitute delivery to the customer. Jacmar's liability terminates upon delivery in good order to the carrier, and goods are shipped at customer's risk. For your protection, examine each shipment carefully. If there is any evidence of damage or shortage in transit, insist that the delivering Carrier make appropriate notation on the freight bill before you sign it. If concealed damage is discovered after receipt of shipment, immediately notify carrier, requesting inspection report to support your claim. Any claim for damage or shortage in transit must be filed with the delivering carrier. We will not accept return of merchandise damaged in transit when the customer's preferred routing is specified and followed. Your recourse is with the delivering carrier.

If no preferred routing is specified on your order, shipments will be made best way, transportation charges prepaid and added to the invoice. For your protection, examine each shipment carefully. If there is any evidence of damage or shortage in transit, insist that the delivering Carrier make appropriate notation on the freight bill before you sign it. If concealed damage is discovered after receipt of shipment, immediately notify Jacmar Shelving, requesting inspection report to support your claim. Any claim for damage or shortage in transit will be filed with the delivering carrier by Jacmar Shelving. In most incidents, we will re-ship the order as soon as possible and handle returns and damage claims with the carrier. We will not accept return of merchandise damaged in transit when these specified instructions are not followed. Your recourse would then be with the delivering carrier.

## **Terms**

Standard terms are "Net 30 days" subject to credit approval. Special orders will require a deposit. Any sales or excise taxes or any other governmental charge applicable will be charged and paid by the customer. Interest charges of 1 1/2% per month will be charged on past due invoices. We reserve the right to bill at prices in effect at time of shipment. Orders received with shipping dates more than 30 days later are subject to prices in effect at time of shipment and require written confirmation of the buyer. THIS CATALOG SUPERSEDES ALL PREVIOUS PRICE LISTS.

## **Specifications**

Sizes and weights shown are approximate (weights listed in pounds and tenths of a pound).

**Finish**

The standard finish is "ASA-49 Dark Gray" and will be furnished unless otherwise specified. Black, white, blue, beige, green, light gray, and custom matched colors are available subject to delayed delivery and additional cost.

**Special Work and Non-Stock Items**

Not subject to cancellation or return. We reserve the right to overship by 5%.

**Drawings**

Special engineering or drawings for approval can be prepared at additional cost.

**Returned Merchandise**

No goods are to be returned without written authorization of the Home Office, Monrovia, California. A handling charge of 20% (of the full list price) will be made for all merchandise returned. Subject to count and inspection. Repainting and repackaging costs (if incurred) will be charged to the customer.

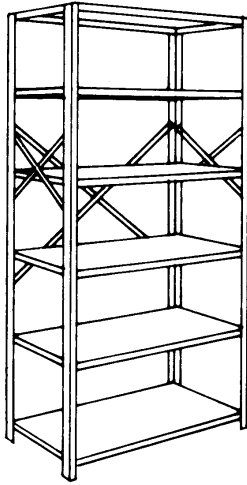
**Product Warranty**

The warranty stated herein is in lieu of all other warranties, expressed or implied, including, but not limited to, merchantability or fitness for a particular purpose. All products sold by seller are warranted for a period of one year from the date of shipment to the purchaser to be free from defects in materials and workmanship under normal use and service.

**Seismic Conditions**

Jacmar Shelving, Inc. will not be responsible for conformity of building or its fire protection devices to existing codes and regulations due to the installation of our product. In seismic areas, building authority approval and safe design may necessitate a full seismic engineering analysis at additional cost. Seismic analysis is the responsibility of the dealer and/or customer. Jacmar Shelving, Inc. will not be liable for safety of design if a seismic analysis is not performed. Please contact Jacmar for assistance.

# OPEN ANGLE SHELVING/ clip type angle posts



Starter Units			Add-On Units		
No.	Price	Wt.	No.	Price	Wt.
OA-5-3012-1	122.57	60.7	-2	118.27	59.7
OA-5-3015-1	133.31	67.6	-2	128.82	66.4
OA-5-3018-1	144.16	74.6	-2	139.60	73.4
OA-5-3024-1	158.03	88.9	-2	153.28	87.3
OA-5-3612-1	124.27	66.7	-2	120.05	65.7
OA-5-3615-1	136.19	75.6	-2	131.69	74.4
OA-5-3618-1	147.62	83.6	-2	143.06	82.4
OA-5-3624-1	171.24	100.4	-2	166.51	98.8
OA-5-4212-1	140.97	73.8	-2	136.67	72.8
OA-5-4215-1	156.97	83.7	-2	152.48	82.5
OA-5-4218-1	169.09	92.7	-2	164.54	91.5
OA-5-4224-1	206.69	112.5	-2	201.95	110.9
OA-5-4812-1	149.28	80.5	-2	144.96	79.5
OA-5-4815-1	173.34	91.4	-2	168.85	90.2
OA-5-4818-1	180.97	101.9	-2	176.42	100.7
OA-5-4824-1	214.44	123.7	-2	209.70	122.1
OA-6-3012-1	137.48	67.8	-2	133.17	66.8
OA-6-3015-1	150.29	76.0	-2	145.80	74.8
OA-6-3018-1	163.28	84.4	-2	158.72	83.2
OA-6-3024-1	179.85	101.4	-2	175.11	99.8
OA-6-3612-1	139.55	75.0	-2	135.24	74.0
OA-6-3615-1	153.67	85.6	-2	149.19	84.4
OA-6-3618-1	167.36	95.2	-2	162.80	94.0
OA-6-3624-1	195.64	115.2	-2	190.90	113.6
OA-6-4212-1	159.40	83.4	-2	155.10	82.4
OA-6-4215-1	178.54	95.2	-2	174.03	94.0
OA-6-4218-1	193.06	106.0	-2	188.50	104.8
OA-6-4224-1	238.10	129.6	-2	233.36	128.0
OA-6-4812-1	169.35	91.4	-2	165.03	90.4
OA-6-4815-1	198.13	104.4	-2	193.65	103.2
OA-6-4818-1	207.26	117.0	-2	202.71	115.8
OA-6-4824-1	247.36	143.3	-2	242.63	141.4

Starter Units			Add-On Units		
No.	Price	Wt.	No.	Price	Wt.
OA-7-3012-1	152.38	74.9	-2	148.08	73.9
OA-7-3015-1	166.49	84.4	-2	162.78	83.2
OA-7-3018-1	182.40	94.2	-2	177.84	93.0
OA-7-3024-1	201.67	113.9	-2	196.82	112.3
OA-7-3612-1	154.74	83.3	-2	150.43	82.3
OA-7-3615-1	171.15	95.6	-2	166.67	94.4
OA-7-3618-1	187.09	106.8	-2	182.55	105.6
OA-7-3624-1	220.03	130.0	-2	215.30	128.4
OA-7-4212-1	177.84	93.0	-2	173.54	92.0
OA-7-4215-1	200.10	106.7	-2	195.61	105.5
OA-7-4218-1	217.02	119.3	-2	212.46	118.1
OA-7-4224-1	269.50	146.7	-2	264.76	145.1
OA-7-4812-1	189.39	102.3	-2	185.09	101.6
OA-7-4815-1	222.93	117.4	-2	217.83	116.2
OA-7-4818-1	233.57	132.1	-2	229.02	130.9
OA-7-4824-1	280.29	162.3	-2	287.85	160.7
OA-8-3012-1	167.29	80.2	-2	162.98	81.0
OA-8-3015-1	184.24	92.8	-2	179.76	91.6
OA-8-3018-1	201.52	104.0	-2	196.96	102.8
OA-8-3024-1	223.49	126.4	-2	218.75	124.8
OA-8-3612-1	169.93	91.6	-2	165.62	90.6
OA-8-3615-1	188.63	105.6	-2	184.15	104.4
OA-8-3618-1	206.84	118.4	-2	202.28	117.2
OA-8-3624-1	244.42	144.8	-2	239.68	143.2
OA-8-4212-1	196.28	102.6	-2	191.97	101.6
OA-8-4215-1	221.65	118.2	-2	217.16	117.0
OA-8-4218-1	240.97	132.6	-2	236.43	131.4
OA-8-4224-1	300.90	163.8	-2	296.16	162.2
OA-8-4812-1	209.46	113.2	-2	205.15	112.2
OA-8-4815-1	247.72	130.4	-2	243.24	129.2
OA-8-4818-1	259.86	147.2	-2	255.31	146.0
OA-8-4824-1	313.20	181.6	-2	308.26	180.0

## part numbers defined

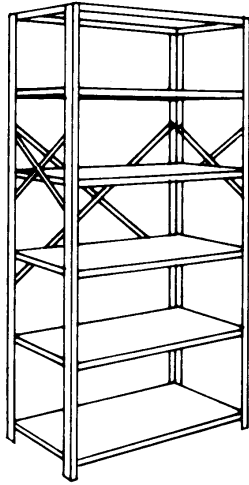
Open Shelving      Starter Unit  
 7 Shelves      (adjoining unit is "2")

**#OA-7-3612-1**

Angle Front Post      36" wide      12" deep

Unless otherwise noted, all shelving units are 85" in height.

# OPEN BEADED SHELVING/ clip type beaded posts



Starter Units			Add-On Units		
No.	Price	Wt.	No.	Price	Wt.
OB-5-3012-1	134.52	62.9	-2	115.63	55.6
OB-5-3015-1	145.25	69.8	-2	126.17	62.3
OB-5-3018-1	156.10	76.8	-2	136.96	69.3
OB-5-3024-1	169.97	91.1	-2	150.64	83.2
OB-5-3612-1	136.30	68.9	-2	117.40	61.6
OB-5-3615-1	148.11	77.8	-2	129.03	70.3
OB-5-3618-1	159.55	85.8	-2	140.42	78.3
OB-5-3624-1	183.19	102.6	-2	163.86	94.7
OB-5-4212-1	152.91	76.0	-2	134.02	68.7
OB-5-4215-1	168.90	85.9	-2	149.83	78.4
OB-5-4218-1	181.03	94.9	-2	161.88	87.4
OB-5-4224-1	218.62	114.7	-2	199.31	106.8
OB-5-4812-1	161.22	82.7	-2	142.32	75.4
OB-5-4815-1	185.28	93.6	-2	166.20	86.1
OB-5-4818-1	192.91	104.1	-2	173.77	96.6
OB-5-4824-1	226.38	125.9	-2	207.06	118.0
OB-6-3012-1	149.43	70.0	-2	130.53	62.7
OB-6-3015-1	162.23	78.2	-2	143.16	70.7
OB-6-3018-1	175.23	86.6	-2	156.08	79.1
OB-6-3024-1	191.79	103.6	-2	172.46	95.7
OB-6-3612-1	151.49	77.2	-2	132.59	69.9
OB-6-3615-1	165.58	87.7	-2	146.50	80.3
OB-6-3618-1	179.30	97.4	-2	160.15	89.9
OB-6-3624-1	207.57	117.4	-2	188.25	109.5
OB-6-4212-1	171.34	85.6	-2	152.46	78.3
OB-6-4215-1	190.47	97.4	-2	171.39	89.9
OB-6-4218-1	204.99	108.2	-2	185.86	100.7
OB-6-4224-1	250.03	131.8	-2	230.72	123.9
OB-6-4812-1	181.27	93.6	-2	158.56	86.3
OB-6-4815-1	210.08	106.6	-2	191.01	99.1
OB-6-4818-1	219.20	119.2	-2	200.07	111.7
OB-6-4824-1	259.30	145.2	-2	239.98	137.3

Starter Units			Add-On Units		
No.	Price	Wt.	No.	Price	Wt.
OB-7-3012-1	164.32	77.1	-2	145.44	69.8
OB-7-3015-1	179.21	86.6	-2	160.13	79.1
OB-7-3018-1	194.34	96.4	-2	175.20	88.9
OB-7-3024-1	213.61	116.1	-2	194.28	108.2
OB-7-3612-1	166.67	85.5	-2	147.78	78.2
OB-7-3615-1	183.06	97.8	-2	163.98	90.3
OB-7-3618-1	199.04	109.0	-2	179.89	101.5
OB-7-3624-1	231.96	132.2	-2	205.31	124.3
OB-7-4212-1	189.78	95.2	-2	170.89	87.9
OB-7-4215-1	212.02	97.8	-2	193.95	101.4
OB-7-4218-1	228.95	121.5	-2	209.82	114.0
OB-7-4224-1	281.45	148.9	-2	262.12	141.0
OB-7-4812-1	201.34	104.5	-2	182.45	97.2
OB-7-4815-1	234.88	119.6	-2	215.80	112.1
OB-7-4818-1	245.51	134.3	-2	226.37	126.8
OB-7-4824-1	292.23	164.5	-2	272.90	156.6
OB-8-3012-1	179.24	84.2	-2	156.65	76.9
OB-8-3015-1	196.19	95.0	-2	177.12	87.5
OB-8-3018-1	213.46	106.2	-2	194.32	98.7
OB-8-3024-1	226.51	128.6	-2	216.11	120.7
OB-8-3612-1	179.23	93.8	-2	162.96	86.5
OB-8-3615-1	200.54	107.8	-2	181.47	100.3
OB-8-3618-1	218.77	120.6	-2	199.64	113.1
OB-8-3624-1	256.36	147.0	-2	237.04	139.1
OB-8-4212-1	208.22	104.8	-2	189.33	97.5
OB-8-4215-1	233.59	120.4	-2	214.52	112.9
OB-8-4218-1	252.92	134.8	-2	233.78	127.3
OB-8-4224-1	312.85	166.0	-2	280.55	158.1
OB-8-4812-1	221.40	114.6	-2	202.50	107.3
OB-8-4815-1	259.67	132.6	-2	240.60	125.1
OB-8-4818-1	271.80	149.4	-2	252.66	141.9
OB-8-4824-1	325.17	183.8	-2	305.82	175.9

## part numbers defined

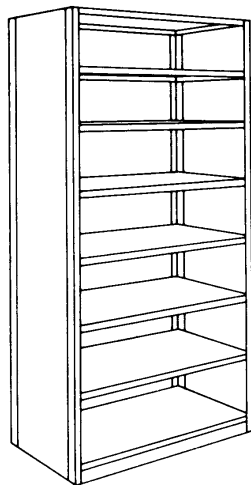
Open Shelving  
 7 Shelves  
 Starter Unit  
 (adjoining unit is "2")

**#OB-7-3612-1**

Thinline Beaded Front Post  
 36" wide  
 12" deep

Unless otherwise noted, all shelving units are 85" in height.

# CLOSED ANGLE SHELVING/ clip type angle posts



Starter Units			Add-On Units		
No.	Price	Wt.	No.	Price	Wt.
CA-5-3012-1	187.25	94.5	-2	171.47	87.3
CA-5-3015-1	206.56	105.4	-2	186.31	96.0
CA-5-3018-1	221.62	117.0	-2	199.20	105.3
CA-5-3024-1	257.65	139.3	-2	223.96	123.2
CA-5-3612-1	194.92	105.3	-2	179.15	98.1
CA-5-3615-1	215.31	118.2	-2	195.06	108.8
CA-5-3618-1	230.99	130.8	-2	208.56	119.1
CA-5-3624-1	276.76	155.6	-2	243.08	139.5
CA-5-4212-1	226.14	116.5	-2	210.36	109.3
CA-5-4215-1	250.70	130.4	-2	230.45	121.0
CA-5-4218-1	267.05	144.0	-2	244.63	132.3
CA-5-4224-1	326.80	171.8	-2	293.11	155.7
CA-5-4812-1	239.51	127.8	-2	223.73	120.6
CA-5-4815-1	272.14	142.7	-2	251.88	133.3
CA-5-4818-1	283.99	157.8	-2	261.57	146.1
CA-5-4824-1	339.63	187.6	-2	305.95	171.5
CA-6-3012-1	202.15	101.6	-2	186.37	94.4
CA-6-3015-1	223.54	113.8	-2	203.28	104.4
CA-6-3018-1	240.75	146.4	-2	218.32	115.1
CA-6-3024-1	279.47	151.8	-2	245.78	135.7
CA-6-3612-1	210.11	113.6	-2	194.33	106.4
CA-6-3615-1	232.78	128.2	-2	212.54	118.8
CA-6-3618-1	250.72	142.4	-2	228.30	130.7
CA-6-3624-1	301.16	170.4	-2	267.47	154.3
CA-6-4212-1	244.57	126.1	-2	228.79	118.9
CA-6-4215-1	272.27	141.9	-2	252.01	132.5
CA-6-4218-1	291.01	157.3	-2	289.10	145.6
CA-6-4224-1	358.21	188.9	-2	324.53	172.8
CA-6-4812-1	259.57	138.7	-2	243.80	131.5
CA-6-4815-1	296.92	155.7	-2	276.69	146.3
CA-6-4818-1	310.30	172.9	-2	287.86	161.2
CA-6-4824-1	372.55	206.9	-2	338.86	190.8

Starter Units			Add-On Units		
No.	Price	Wt.	No.	Price	Wt.
CA-7-3012-1	217.06	108.7	-2	201.28	101.5
CA-7-3015-1	240.51	122.2	-2	220.27	112.8
CA-7-3018-1	259.86	136.6	-2	237.43	124.9
CA-7-3024-1	301.28	164.3	-2	267.60	148.2
CA-7-3612-1	217.08	121.9	-2	209.52	114.7
CA-7-3615-1	240.30	138.2	-2	230.01	128.8
CA-7-3618-1	270.46	154.0	-2	248.04	142.3
CA-7-3624-1	325.54	185.2	-2	291.86	169.1
CA-7-4212-1	263.01	135.7	-2	247.23	128.5
CA-7-4215-1	293.82	153.4	-2	273.57	144.0
CA-7-4218-1	314.99	170.6	-2	292.55	158.9
CA-7-4224-1	389.62	206.0	-2	355.93	189.9
CA-7-4812-1	279.63	149.6	-2	263.85	142.4
CA-7-4815-1	321.73	168.7	-2	301.48	159.3
CA-7-4818-1	336.59	188.0	-2	314.17	176.3
CA-7-4824-1	405.47	226.2	-2	371.79	210.1
CA-8-3012-1	262.73	115.8	-2	216.18	108.6
CA-8-3015-1	257.50	130.6	-2	237.24	121.2
CA-8-3018-1	278.98	146.4	-2	256.56	134.7
CA-8-3024-1	323.10	176.8	-2	289.42	150.7
CA-8-3612-1	240.48	130.2	-2	224.71	123.0
CA-8-3615-1	267.73	148.2	-2	247.49	138.8
CA-8-3618-1	290.20	165.6	-2	267.78	153.9
CA-8-3624-1	349.94	200.0	-2	316.25	183.9
CA-8-4212-1	281.45	145.3	-2	265.67	138.1
CA-8-4215-1	315.38	164.9	-2	295.14	155.5
CA-8-4218-1	338.94	183.9	-2	316.52	172.2
CA-8-4224-1	421.02	223.1	-2	387.34	207.0
CA-8-4812-1	299.69	160.5	-2	283.92	153.3
CA-8-4815-1	346.54	181.7	-2	326.28	172.3
CA-8-4818-1	362.90	203.1	-2	340.47	191.4
CA-8-4824-1	438.39	245.4	-2	404.71	229.4

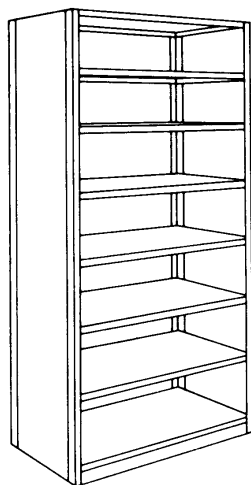
## part numbers defined

Closed Shelving 7 Shelves Starter Unit (adjoining unit is "2")  
**#CA-7-3612-1**  
 Angle Front Post 36" wide 12" deep

Unless otherwise noted, all shelving units are 85" in height.



# CLOSED BEADED SHELVING/ clip type beaded posts



Starter Units			Add-On Units		
No.	Price	Wt.	No.	Price	Wt.
CB-5-3012-1	199.20	96.7	-2	168.83	83.2
CB-5-3015-1	218.51	82.4	-2	183.66	91.9
CB-5-3018-1	233.57	119.2	-2	196.55	101.2
CB-5-3024-1	269.78	141.5	-2	221.31	119.0
CB-5-3612-1	206.86	107.5	-2	176.49	94.8
CB-5-3615-1	227.24	120.4	-2	192.41	104.7
CB-5-3618-1	242.92	133.0	-2	205.92	115.0
CB-5-3624-1	288.70	157.8	-2	240.43	135.4
CB-5-4212-1	238.69	118.7	-2	208.32	105.2
CB-5-4215-1	263.25	132.6	-2	228.43	116.9
CB-5-4218-1	279.61	146.2	-2	242.60	128.2
CB-5-4224-1	339.37	174.0	-2	291.09	151.6
CB-5-4812-1	250.84	130.0	-2	220.47	116.5
CB-5-4815-1	283.47	144.9	-2	248.63	129.2
CB-5-4818-1	295.32	160.0	-2	258.31	142.0
CB-5-4824-1	350.95	189.8	-2	302.69	167.4
CB-6-3012-1	214.10	103.8	-2	183.73	90.3
CB-6-3015-1	235.48	116.0	-2	200.64	100.3
CB-6-3018-1	252.69	129.0	-2	215.68	111.0
CB-6-3024-1	292.08	154.0	-2	243.13	131.6
CB-6-3612-1	222.04	124.8	-2	191.68	106.5
CB-6-3615-1	244.72	130.4	-2	209.88	114.7
CB-6-3618-1	262.66	144.6	-2	225.65	126.6
CB-6-3624-1	313.09	172.6	-2	264.83	150.2
CB-6-4212-1	257.12	128.3	-2	226.77	114.8
CB-6-4215-1	284.81	144.1	-2	249.98	128.4
CB-6-4218-1	303.56	159.5	-2	266.57	141.5
CB-6-4224-1	370.68	191.1	-2	307.49	168.7
CB-6-4812-1	270.89	149.9	-2	240.54	131.9
CB-6-4815-1	308.26	157.9	-2	273.43	142.2
CB-6-4818-1	321.63	175.1	-2	284.62	157.1
CB-6-4824-1	383.86	209.1	-2	335.60	186.7

Starter Units			Add-On Units		
No.	Price	Wt.	No.	Price	Wt.
CB-7-3012-1	229.01	110.9	-2	197.50	97.4
CB-7-3015-1	241.06	124.4	-2	217.62	108.7
CB-7-3018-1	271.80	138.8	-2	234.79	120.8
CB-7-3024-1	313.22	166.5	-2	264.96	144.1
CB-7-3612-1	237.23	124.1	-2	206.87	110.6
CB-7-3615-1	262.19	140.4	-2	227.36	124.7
CB-7-3618-1	282.40	156.2	-2	245.39	138.2
CB-7-3624-1	337.49	187.4	-2	289.22	165.0
CB-7-4212-1	275.56	137.9	-2	243.20	124.4
CB-7-4215-1	306.38	155.6	-2	271.55	139.9
CB-7-4218-1	327.53	172.8	-2	290.53	154.8
CB-7-4224-1	381.61	148.9	-2	353.90	185.8
CB-7-4812-1	290.95	151.8	-2	260.59	138.3
CB-7-4815-1	333.06	170.9	-2	298.23	155.2
CB-7-4818-1	347.92	190.2	-2	310.91	172.2
CB-7-4824-1	416.79	228.4	-2	368.52	206.0
CB-8-3012-1	243.91	118.0	-2	213.54	104.5
CB-8-3015-1	269.44	132.8	-2	234.60	117.1
CB-8-3018-1	290.93	148.6	-2	253.92	130.6
CB-8-3024-1	335.05	179.0	-2	286.78	156.6
CB-8-3612-1	252.42	132.4	-2	222.06	118.9
CB-8-3615-1	279.67	150.4	-2	244.84	134.7
CB-8-3618-1	302.14	167.8	-2	265.14	149.8
CB-8-3624-1	361.87	202.2	-2	313.61	179.8
CB-8-4212-1	293.99	147.5	-2	263.63	134.0
CB-8-4215-1	327.94	167.1	-2	293.10	151.4
CB-8-4218-1	351.49	186.1	-2	314.48	168.1
CB-8-4224-1	433.37	225.3	-2	385.31	202.9
CB-8-4812-1	311.02	162.7	-2	280.65	149.2
CB-8-4815-1	357.85	183.9	-2	323.03	168.2
CB-8-4818-1	374.22	205.3	-2	337.22	187.3
CB-8-4824-1	449.71	247.7	-2	401.45	225.3

## part numbers defined

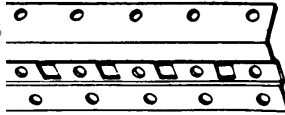
Closed Shelving 7 Shelves Starter Unit (adjoining unit is "2")

**#CB-7-3612-1**

Thinline Beaded Front Post 36" wide 12" deep

Unless otherwise noted, all shelving units are 85" in height.

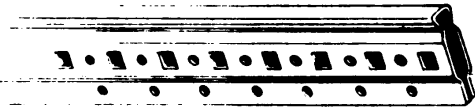
# ANGLE posts



Part No.	Size	Price	Ship. Wt.
AC-40*	40"	4.43	2.4
AC-61	61"	7.14	3.7
AC-73	73"	7.59	4.4
AC-85	85"	8.61	5.2
AC-88	88"	9.72	5.4
AC-97	97"	9.94	5.9
AC-109	109"	11.23	6.6
AC-121	121"	12.52	7.3
AC-145*	145"	14.45	8.8
AC-181*	181"	18.03	11.0

\*Non-stock Items

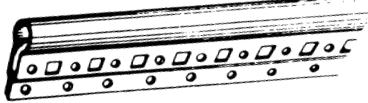
# THINLINE beaded posts



Part No.	Size	Price	Ship. Wt.
TBP-61	61"	11.81	4.5
TBP-73	73"	12.56	5.4
TBP-85	85"	14.59	6.3
TBP-88	88"	16.00	6.5
TBP-97	97"	16.65	7.2
TBP-109*	109"	17.89	8.1
TBP-121*	121"	20.90	9.0

\*Non-stock Items

# HEAVY DUTY beaded posts



Part No.	Size	Price	Ship. Wt.
BP-61*	61"	10.11	8.0
BP-73*	73"	17.53	9.5
BP-85*	85"	20.62	11.1
BP-88*	88"	20.96	11.5
BP-97*	97"	23.69	12.6
BP-109*	109"	26.46	14.3
BP-121*	121"	29.23	15.7
BP-145*	145"	34.19	18.9
BP-181*	181"	43.87	23.5

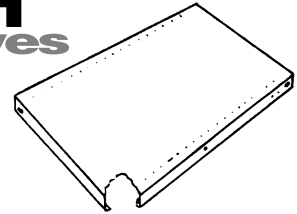
\*Non-stock Items

## CUTTING DATA

### for special sizes not listed

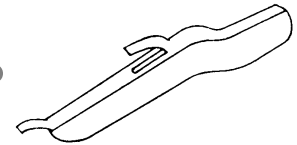
Angle Post	\$1.50 per cut
Beaded Post	\$2.00 per cut
Backs and Sides	\$3.00 per cut

# CLASS 1 shelves



Part No.	Size	Price	Ship. Wt.
S-3012	30 X 12	14.90	7.1
S-3612	36 X 12	15.19	8.3
S-4212	42 X 12	18.44	9.6
S-4812	48 X 12	20.06	10.9
S-3015	30 X 15	16.97	8.4
S-3615	36 X 15	17.48	10.0
S-4215	42 X 15	21.57	11.5
S-4815	48 X 15	24.80	13.0
S-3018	30 X 18	19.12	9.8
S-3618	36 X 18	19.74	11.6
S-4218	42 X 18	23.96	13.3
S-4818	48 X 18	26.30	15.1
S-3024	30 X 24	21.82	12.5
S-3624	36 X 24	24.39	14.8
S-4224	42 X 24	31.40	17.1
S-4824	48 X 24	32.92	19.3
S-3030	30 X 30	27.12	15.2
S-3630	36 X 30	31.38	18.0
S-4230	42 X 30	37.52	20.8
S-4830	48 X 30	40.98	23.5
S-4232	42 X 32	39.08	22.0
S-3036	30 X 36	31.13	17.9
S-3636	36 X 36	34.74	21.2
S-4236	42 X 36	42.10	24.5
S-4836	48 X 36	46.10	27.9

# SHELF clip



Part No.	Price	Ship Wt.
AC-4	.40	.10

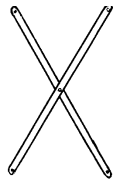
## CALL US

For Specification Assistance,  
Complimentary Field  
Measurement or Other Price  
List Inquiries



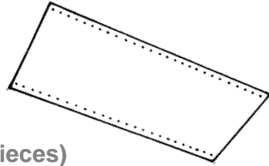


# SIDE braces



Part No.	Size	Price	Ship. Wt.
XB-12	12"	4.31	1.0
XB-15	15"	4.49	1.2
XB-18	18"	4.56	1.2
XB-24	24"	4.74	1.6
XB-30	30"	4.98	2.4
XB-36	36"	5.35	2.4

# END panels

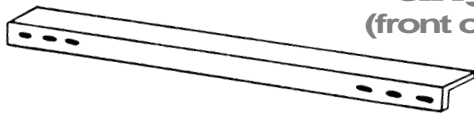


(all panels provided in 2 pieces)

Part No.	Size	Price	Ship Wt.
E-1240*	12 X 40	8.25	3.3
E-1261*	12 X 61	10.83	5.0
E-1273	12 X 73	12.75	6.0
E-1285	12 X 85	13.79	7.2
E-1288	12 X 88	15.78	7.5
E-1297	12 X 97	19.03	8.3
E-1540*	15 X 40	11.33	4.4
E-1561*	15 X 61	15.20	6.8
E-1573	15 X 73	16.58	8.1
E-1585	15 X 85	17.73	9.4
E-1588	15 X 88	20.25	9.7
E-1597	15 X 97	24.15	10.8
E-1840*	18 X 40	11.52	5.5
E-1861*	18 X 61	18.45	8.4
E-1873	18 X 73	19.02	10.0
E-1885	18 X 85	22.43	11.7
E-1888	18 X 88	22.55	12.1
E-1897	18 X 97	26.64	13.3
E-2440*	24 X 40	14.16	7.5
E-2461*	24 X 61	26.59	11.5
E-2473	24 X 73	28.18	13.8
E-2485	24 X 85	29.97	16.1
E-2488	24 X 88	28.64	17.3
E-2497	24 X 97	39.67	18.3

\*Non-stock Items

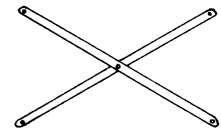
# REINFORCING angles (front or rear)



Part No.	Size	Price	Ship. Wt.
RA-30*	30"	3.64	1.5
RA-36	36"	4.02	1.8
RA-42	42"	4.41	2.0
RA-48	48"	4.71	2.4

\*Non-stock Items

# BACK braces



Part No.	Size	Price	Ship. Wt.
XB-24	24"	4.74	1.6
XB-30	30"	4.98	2.4
XB-36	36"	5.35	2.4
XB-42	42"	5.72	3.0
XB-48	48"	5.90	3.2

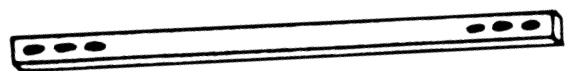
# BACK panels

(all panels provided in 2 pieces)

Part No.	Size	Price	Ship Wt.
B-3040*	30 X 40	22.56	10.5
B-3061*	30 X 61	32.05	15.5
B-3073	30 X 73	37.55	18.6
B-3085	30 X 85	42.10	22.0
B-3088	30 X 88	42.85	23.6
B-3097	30 X 97	52.10	25.1
B-3640*	36 X 40	25.53	12.4
B-3661*	36 X 61	35.73	18.9
B-3673	36 X 73	41.36	22.6
B-3685	36 X 85	47.52	26.4
B-3688	36 X 88	48.83	27.9
B-3697	36 X 97	57.02	30.1
B-4240*	42 X 40	28.34	14.4
B-4261*	42 X 61	40.79	22.1
B-4273	42 X 73	46.26	26.4
B-4285	42 X 85	53.21	30.8
B-4288	42 X 88	54.99	31.9
B-4297	42 X 97	60.16	35.1
B-4840*	48 X 40	31.50	16.9
B-4861*	48 X 61	50.13	25.2
B-4873	48 X 73	52.30	30.8
B-4885	48 X 85	66.12	35.2
B-4888	48 X 88	61.96	36.3
B-4897	48 X 97	74.51	41.0

\*Non-stock Items

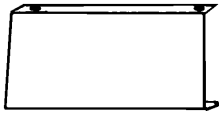
# REINFORCING bar



Part No.	Size	Price	Ship. Wt.
RB-30	30"	2.15	0.8
RB-36*	36"	2.41	1.0
RB-42*	42"	2.59	1.2
RB-48	48"	2.83	1.4

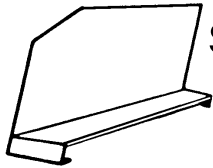
\*Non-stock Items

# FULL SHELF dividers



Part No.	Size	Price	Ship. Wt.
D-129*	12 X 9	4.90	1.5
D-189*	18 X 9	6.25	2.2
D-1810 1/2*	18 X 10 1/2	7.34	2.5
D-1812*	18 X 12	7.97	2.8
D-1815	18 X 15	8.40	3.4
D-1816 1/2	18 X 16 1/2	10.63	3.7
D-249*	24 X 9	9.30	2.8

\*Non-stock Items



# SLIDING dividers

Part No.	Size	Price	Ship. Wt.
CSD-126*	12 X 6	6.71	1.6
CSD-129	12 X 9	7.63	2.1
CSD-156	15 X 6	7.26	2.1
CSD-159	15 X 9	8.31	2.6
CSD-186*	18 X 6	8.87	2.5
CSD-189	18 X 9	9.35	3.2

\*Non-stock Items

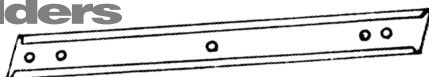
# ANGLE dividers



Part No.	Size	Price	Ship. Wt.
AD-126*	12 X 6	3.33	1.1
AD-129*	12 X 9	4.31	1.6
AD-156*	15 X 6	3.69	1.4
AD-159*	15 X 9	4.74	2.0
AD-186*	18 X 6	4.31	1.6
AD-189*	18 X 9	5.85	2.4
AD-246*	24 X 6	5.24	2.1
AD-249*	24 X 9	7.02	3.2

\*Non-stock Items

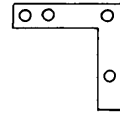
# LABEL holders



Part No.	Size	Price	Ship. Wt.
LH-30*	30 X 1	1.54	0.3
LH-36*	36 X 1	1.90	0.4
LH-42*	42 X 1	2.28	0.5
LH-48*	48 X 1	2.65	0.6

\*Non-stock Items

# "L" braces

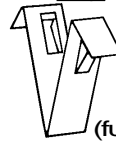


Part No.	Size	Price	Ship. Wt.
LB-5	5 X 5	.98	.25

# NUTS & bolts

1" Nuts & Bolts	\$32.20 per hundred
1/2" Nuts & Bolts	\$27.15 per hundred

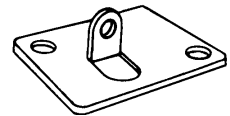
# LABEL HOLDER and divider clip



(furnished with label holders and dividers)

Part No.	Price	Ship. Wt.
VC-1	.90	.03

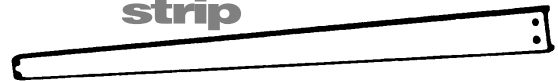
# FOOT plates



Part No.	Price	Ship. Wt.
Standard Footplate	1.37	.2
Seismic Footplate	6.10	.4

# SPRAY touchup paint... \$12.30/CAN

# BASE strip



Part No.	Size	Price	Ship. Wt.
BS-301	30 X 1	3.39	1.0
BS-361	36 X 1	3.57	1.4
BS-421	42 X 1	4.00	1.7
BS-481	48 X 1	4.74	1.9
BS-303	30 X 3	4.61	1.8
BS-363	36 X 3	5.24	2.2
BS-423	42 X 3	6.46	2.5
BS-483	48 X 3	7.07	2.9

# HEIGHT VARIANCE price charts

VS

# STANDARD 85" HIGH units

## OPEN ANGLE SHELVING UNITS

For this Height:	Modify "Starter" Unit:	Modify "Add-on" Unit:
40"	-\$16.73	-\$16.73
61"	-\$5.92	-\$5.92
73"	-\$4.11	-\$4.11
88"	+\$4.42	+\$4.42
97"	+\$5.33	+\$5.33
109"	+\$10.48	+\$10.48
121"	+\$15.63	+\$15.63
145"	+\$23.38	+\$23.38
181"	+\$37.65	+\$37.65

## OPEN BEADED UNITS

For this Height:	Modify "Starter" Unit:	Modify "Add-on" Unit:
61"	-\$8.50	-\$5.73
73"	-\$6.11	-\$4.07
88"	+\$5.04	+\$3.62
97"	+\$6.79	+\$4.73
121"	+\$20.45	+\$14.13

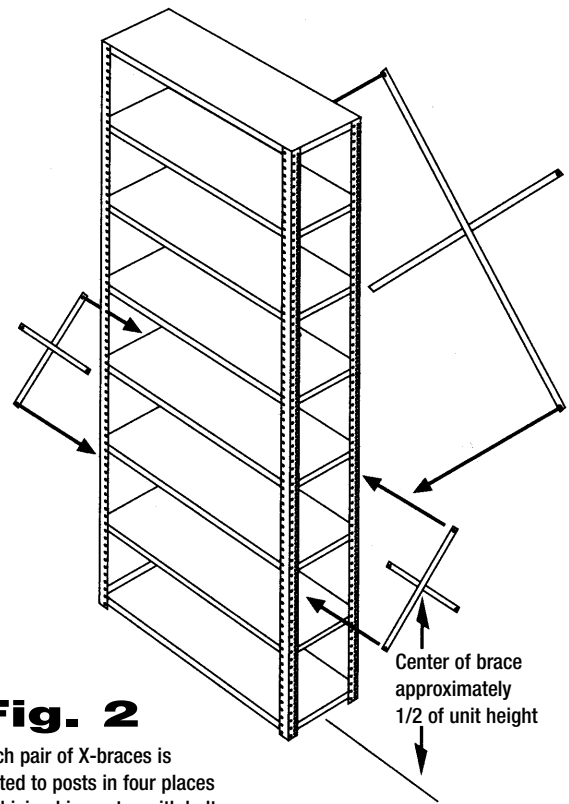
## "CLEAR SPACES" (Count openings from top to bottom) at a glance

### Unit Height

Shelves/ Openings	61"	73"	85"	88"	97"
<b>4 shelf/ 3 opening</b>	16 3/4"	21 1/4"	25 3/4"	25 3/4"	Not Recommended
	18 1/4"	21 1/4"	25 3/4"	27 1/4"	
	18 1/4"	22 3/4"	25 3/4"	27 1/4"	
<b>5 shelf/ 4 opening</b>	12 1/4"	15 1/4"	18 1/4"	19 3/4"	21 1/4"
	12 1/4"	15 1/4"	18 1/4"	"	21 1/4"
	13 3/4"	16 3/4"	19 3/4"	"	22 3/4"
	13 3/4"	16 3/4"	19 3/4"	"	22 3/4"
<b>6 shelf/ 5 opening</b>	9 1/4"	12 1/4"	13 3/4"	15 1/4"	15 1/4"
	9 1/4"	12 1/4"	15 1/4"	15 1/4"	16 3/4"
	10 3/4"	12 1/4"	15 1/4"	15 1/4"	18 1/4"
	10 3/4"	12 1/4"	15 1/4"	15 1/4"	18 1/4"
	10 3/4"	13 3/4"	15 1/4"	16 3/4"	18 1/4"
<b>7 shelf/ 6 opening</b>	7 3/4"	9 1/4"	12 1/4"	12 1/4"	13 3/4"
	7 3/4"	9 1/4"	"	12 1/4"	13 3/4"
	7 3/4"	10 3/4"	"	12 1/4"	13 3/4"
	7 3/4"	10 3/4"	"	12 1/4"	13 3/4"
	9 1/4"	10 3/4"	"	13 3/4"	15 1/4"
	9 1/4"	10 3/4"	"	13 3/4"	15 1/4"
<b>8 shelf/ 7 opening</b>	6 1/4"	7 3/4"	9 1/4"	10 3/4"	10 3/4"
	6 1/4"	7 3/4"	9 1/4"	"	10 3/4"
	6 1/4"	7 3/4"	10 3/4"	"	12 1/4"
	6 1/4"	9 1/4"	10 3/4"	"	12 1/4"
	7 3/4"	9 1/4"	10 3/4"	"	12 1/4"
	7 3/4"	9 1/4"	10 3/4"	"	12 1/4"
	7 3/4"	9 1/4"	10 3/4"	"	12 1/4"
	7 3/4"	9 1/4"	10 3/4"	"	13 3/4"
<b>9 shelf/ 8 opening</b>	4 3/4"	6 1/4"	7 3/4"	9 1/4"	9 1/4"
	4 3/4"	6 1/4"	7 3/4"	"	9 1/4"
	6 1/4"	7 3/4"	9 1/4"	"	10 3/4"
	6 1/4"	7 3/4"	9 1/4"	"	10 3/4"
	6 1/4"	7 3/4"	9 1/4"	"	10 3/4"
	6 1/4"	7 3/4"	9 1/4"	"	10 3/4"
	6 1/4"	7 3/4"	9 1/4"	"	10 3/4"
	6 1/4"	7 3/4"	9 1/4"	"	10 3/4"
<b>10 shelf/ 9 opening</b>	4 3/4"	6 1/4"	7 3/4"	7 3/4"	7 3/4"
	4 3/4"	6 1/4"	"	7 3/4"	9 1/4"
	4 3/4"	6 1/4"	"	7 3/4"	9 1/4"
	4 3/4"	6 1/4"	"	7 3/4"	9 1/4"
	4 3/4"	6 1/4"	"	7 3/4"	9 1/4"
	4 3/4"	6 1/4"	"	7 3/4"	9 1/4"
	4 3/4"	6 1/4"	"	7 3/4"	9 1/4"
	6 1/4"	6 1/4"	"	9 1/4"	9 1/4"
	6 1/4"	7 3/4"	"	9 1/4"	9 1/4"
	6 1/4"	7 3/4"	"	9 1/4"	9 1/4"

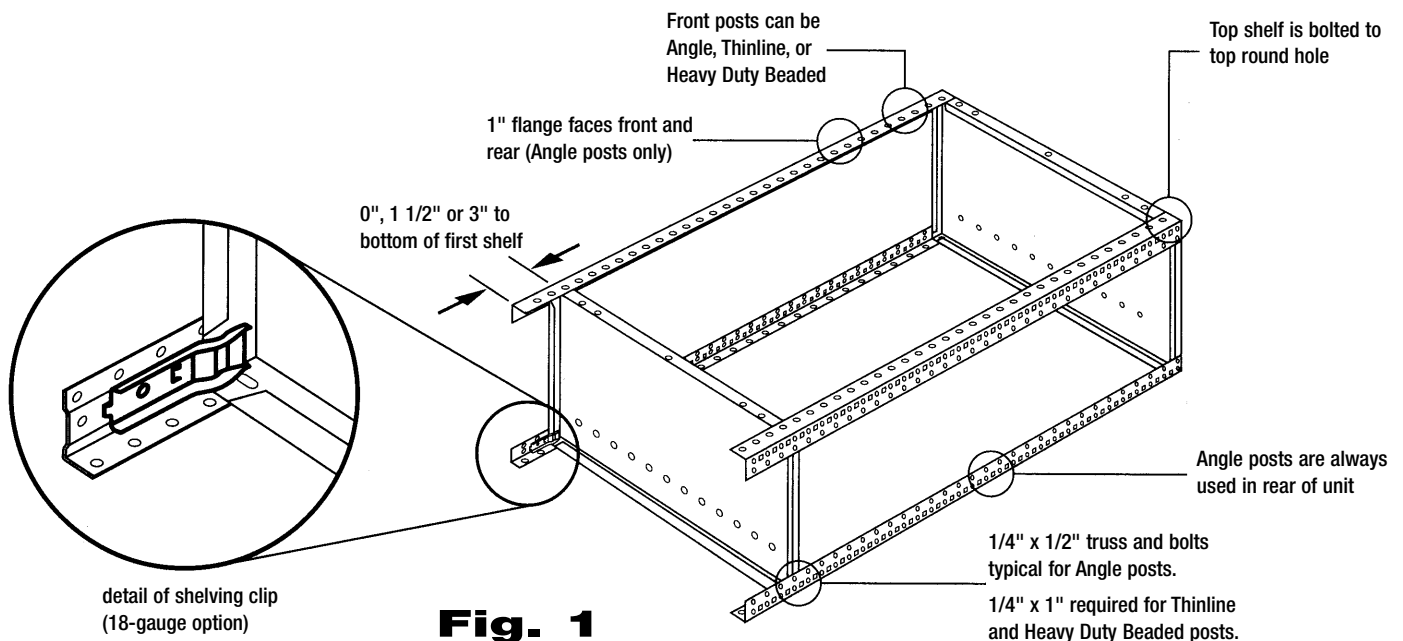
# OPEN UNIT assembly

1. Lay two Thinline posts on floor or saw horses with 1" flange down. Bolt top shelf to sides of posts in top round hole (Fig. 1). Attach bottom shelf the same way using third hole from bottom of post, or location where bottom shelf will be required (3" max. from floor). Place right and left Thinline. Heavy Duty Beaded or Thinline posts at front post locations as shown in (Fig. 1), then bolt from the sides. For 18-gauge shelves and non-seismic applications, clips may be used instead of bolts on top and bottom shelves. With top and bottom shelves bolted or clipped securely, stand unit upright.
2. Install intermediate shelves using four clips per shelf. Shelves are adjustable on 1 1/2" centers using the square cutouts on posts for clip attachment.
3. Attach longer back to outside of posts approximately 1/3 of the way between top and bottom shelves (Fig. 2). Back to back units share a common X-Brace.
4. Attach shorter side X-Braces to sides of unit approximately 1/3 of the way between top and bottom shelves (Fig.2). For Heavy Duty Beaded and Thinline front posts, the side X-Brace is placed between post flanges. When two or more units are bolted together side by side, the side X-Brace is common between units. If installing Heavy Duty Beaded or Thinline post units, the Heavy Duty Beaded or Thinline post is common between units. Bolt centers of X-Braces together.
5. Additional shelving units may be added to form a row by placing the side X-Brace between 2 Thinline posts, then proceeding to attach the adder unit(s) to the starter unit. If the bottom shelf must be less than 3" from floor (to bottom of shelf), then the top and bottom shelves should be attached while shelving unit is on its back (Fig. 1). For Heavy Duty Beaded or Thinline post adder units with shelf less than 3" from floor, top and bottom shelves must be attached to entire row before standing units upright, unless top and bottom shelves use clips (18-gauge).



**Fig. 2**

Each pair of X-braces is bolted to posts in four places and joined in center with bolt



**Fig. 1**

# CLOSED UNIT assembly

**Note: For welded end and intermediate upright assemblies, skip steps 1 and 2.**

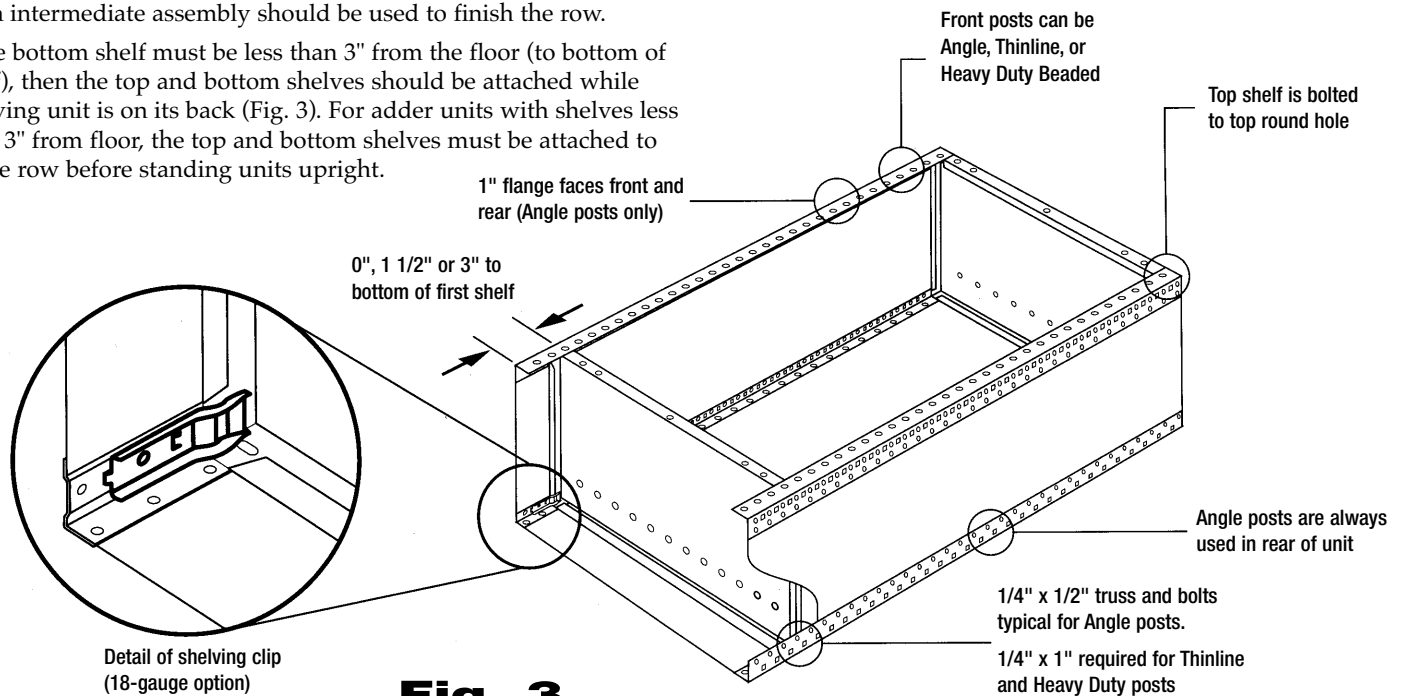
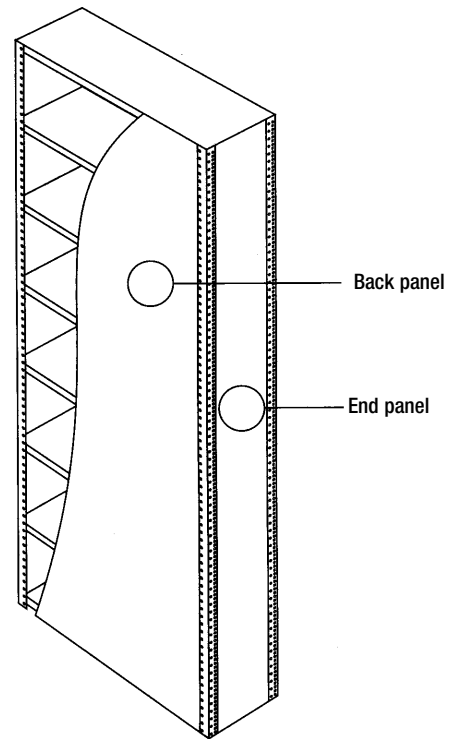
## 1. End upright assembly

End upright assembly requires one Thinline post at the back and one Thinline Heavy Duty Beaded and Thinline post at the front. Bolt end panel inside the two posts as shown in (Fig. 3). nuts and bolts should be located approximately every 18" apart.

## 2. Intermediate upright assembly

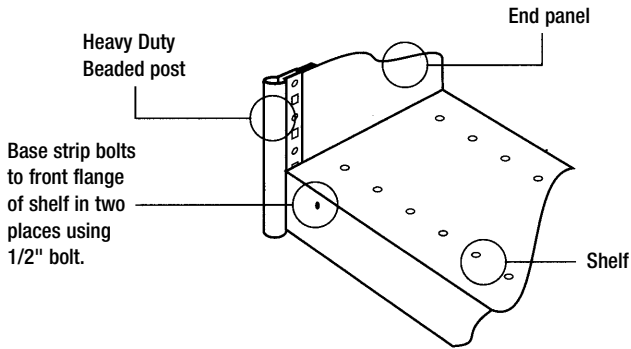
Intermediate upright assembly requires two Thinline posts at the back, and two Thinline or one Heavy Duty Beaded or Thinline post at the front. Bolt the end panel between Thinline posts or between rear flanges on Heavy Duty Beaded or Thinline post. Note: Before locating where bolts should be located when attaching panels to posts, a sample unit may be built with all shelves in place to determine optimal location so bolts do not interfere with shelves.

3. Bolt top shelf to upright assemblies through top round hole of post (Fig. 3). Bolt bottom shelf to upright using third hole from bottom of post or other location where bottom shelf will be required (3" max. from floor). Use two end upright assemblies if installing only one unit, or one end and one intermediate upright assembly if installing two or more units to form a row. For 18-gauge shelves and non-seismic applications, clips may be used instead of bolts on top and bottom shelves.
4. Install intermediate shelves using four clips per shelf. Shelves are adjustable on 1 1/2" centers using square cutouts for clip attachment.
5. Bolt back panel to back of unit outside of posts. If installing back to back units, back panel should be placed between units.
6. Additional shelving units may be added to form a row by holding in position another intermediate upright assembly and repeating steps 3 through 5. For the last adder unit, an end upright assembly instead of an intermediate assembly should be used to finish the row.
7. If the bottom shelf must be less than 3" from the floor (to bottom of shelf), then the top and bottom shelves should be attached while shelving unit is on its back (Fig. 3). For adder units with shelves less than 3" from floor, the top and bottom shelves must be attached to entire row before standing units upright.

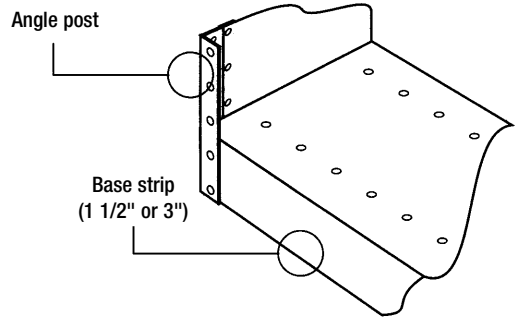


**Fig. 3**

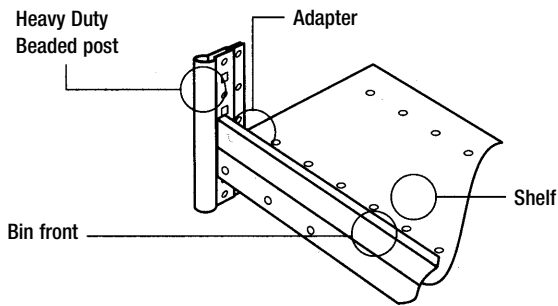
# COMPONENT assembly



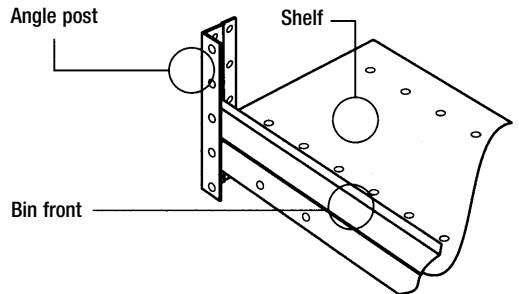
**CLOSED BASE**  
beaded post



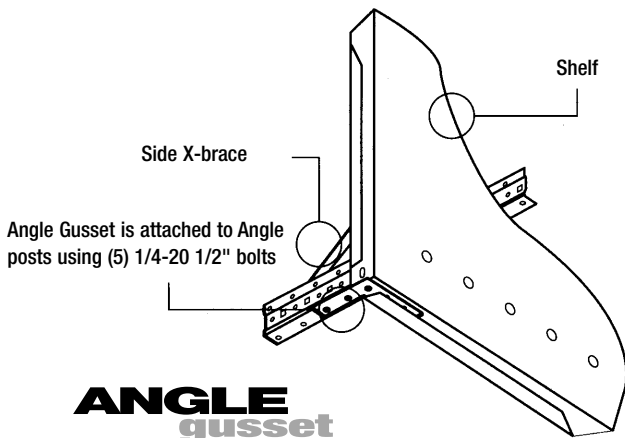
**CLOSED BASE**  
angle post



**BIN FRONT**  
beaded post



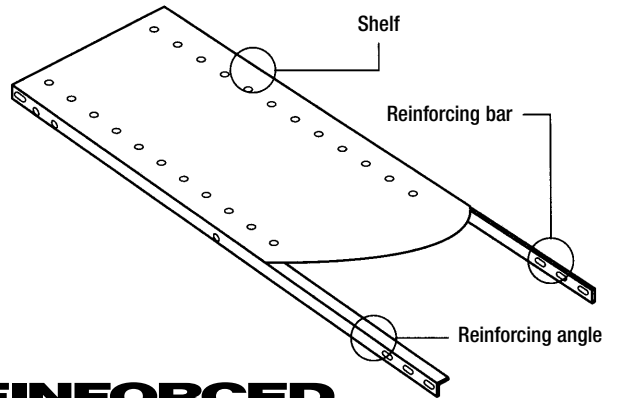
**BIN FRONT**  
angle post



**ANGLE**  
gusset

Angle Gussets may be used to replace back X-braces in light-duty applications. Use gussets on top, bottom, and one intermediate shelf (12 gussets needed per unit).

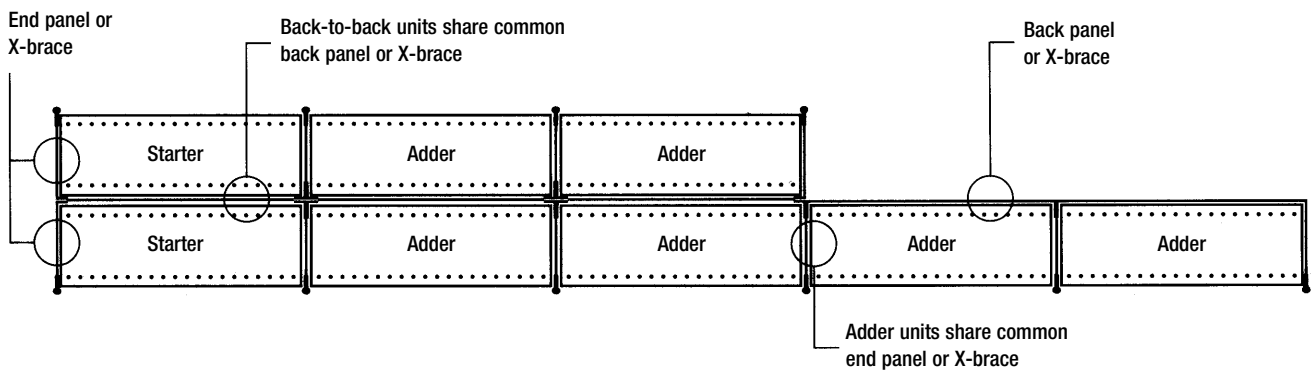
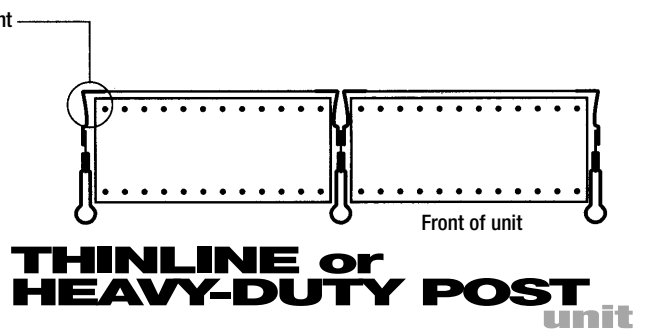
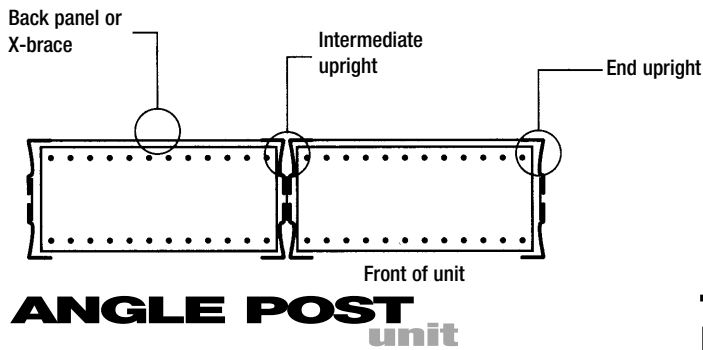
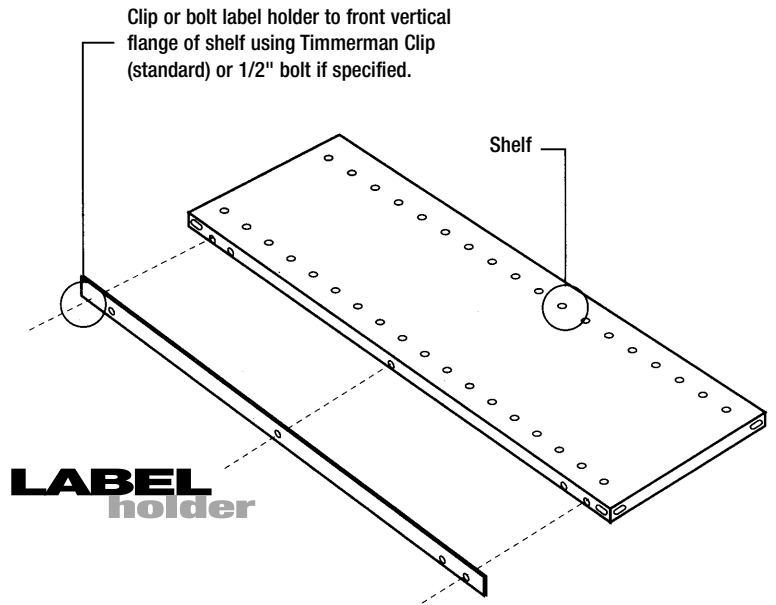
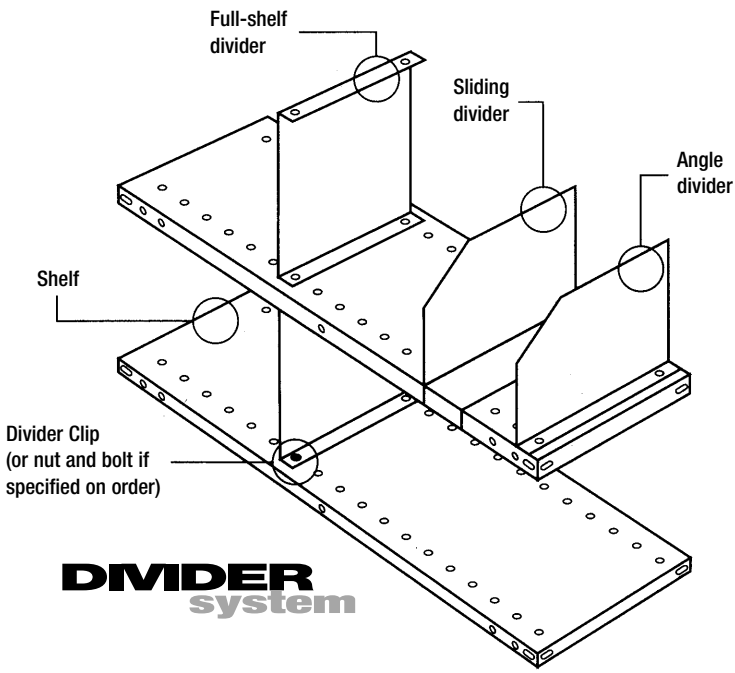
Gussets are for use with Angle posts only and are not recommended for units over 97" high.



**REINFORCED**  
shelf

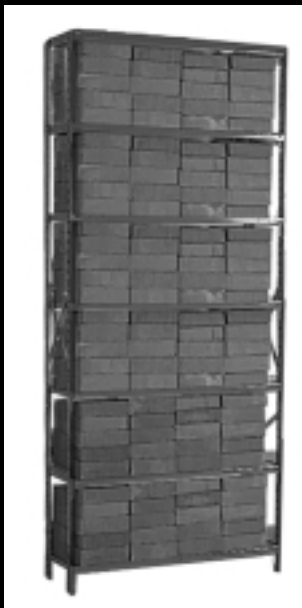
Reinforcing Bar or Angle is bolted inside front and rear vertical flanges of shelf using (2) bolts per reinforcement.

# COMPONENT assembly




"Not only did you create a stable, safe environment for my often moved books; but you share many qualities with your product, such as dependability, strength, and sturdiness."

—Lillian Michelson  
DREAMWORKS SKG



**" can hold a ton of bricks!"**

**Jacmar**   
SHELVING SOLUTIONS

626.303.8688 • Fax 626.303.4588 • [www.jacmarshelving.com](http://www.jacmarshelving.com)  
911 South Primrose Avenue, Suite 1 • Monrovia, California 91016